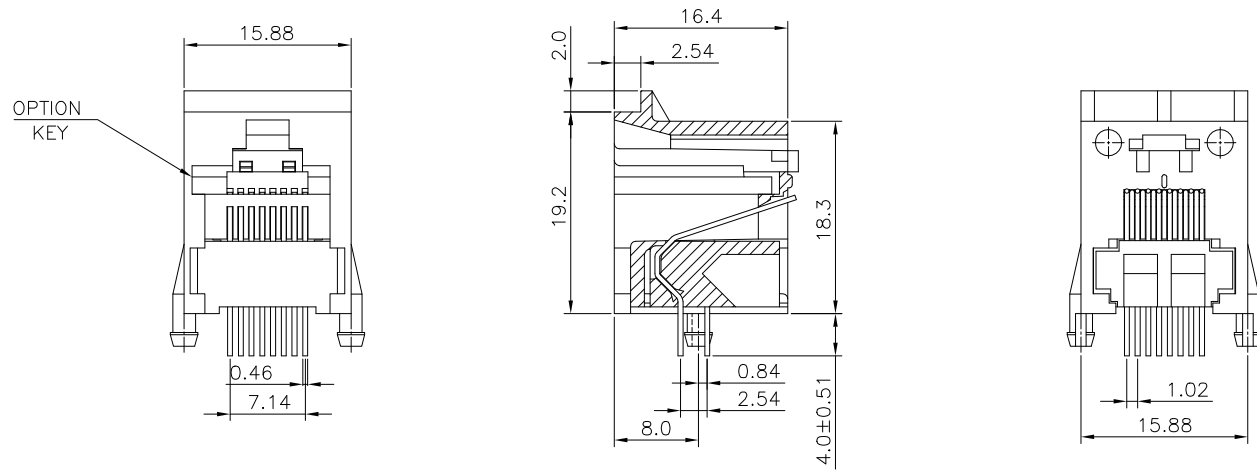


REVISION RECORD				
REV	ECO	DESCRIPTION	DRFT	CHKD



**NOTES:**

ELECTRICAL:

1. VOLTAGE RATING : 125 VAC RMS.
2. CURRENT RATING : 1.5 AMP.
3. CONTACT RESISTANCE : 30 MILLIOHMS MAX.
4. INSULATION RESISTANCE: 1000 MEGOHMS MIN @ 500 VDC.
5. DIELECTRIC STRENGTH : 1000 VAC RMS 60Hz, 1MIN.

MECHANICAL:

1. HOUSING MATERIAL : GLASS FILLED POLYESTER UL94V-0.
2. CONTACT MATERIAL : PHOSPHOR BRONZE  $\phi$ 0.46mm.
3. PLATING : GOLD PLATING OVER NICKEL.
4. OPERATING LIFE : 750 CYCLES MIN.
5. PCB RETENTION PRE-SOLDER : 1 LB MIN.
6. PCB RETENTION POST-SOLDER: 10 LBS MIN.

ENVIRONMENTAL:

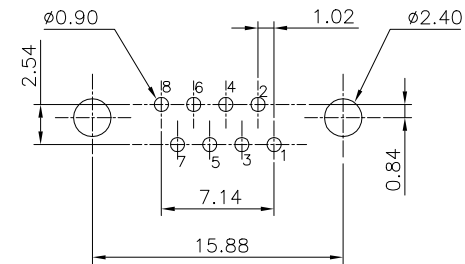
1. STORAGE : -40°C TO +85°C.
2. OPERATION: 0°C TO 70°C.

MATES WITH MODULAR PLUG CONFORMING TO  
FCC PART 68, SUBPART F.

CUL FILE NO. E163191

PART NUMBER: E5488-000XXX

- |              |           |           |
|--------------|-----------|-----------|
| 0-BLACK      | 1- 3u"    | 2- 6u"    |
| 1-GRAY       | 3-15u"    | 4-30u"    |
| 4-GY(26833#) | 5-50u"    | 6-Pd 20u" |
|              | 1-W/O KEY |           |
|              | 2-W/ KEY  |           |



PC Board Layout  
Component Side Shown

DETACHED LISTS	MM (INCH)		DFTO CXQ	DATE 6/15/04"	FULL RISE ELECTRONIC CO., LTD	
	TOLERANCES EXCEPT AS NOTED		CHKD	DATE		
	MM	±	MFO	DATE	TITLE RJ45 PCB JACK	
	.0 ± 0.2	±	APPLV XLF	DATE 06/15/04		
.00 ± 0.15	±	MATERIAL :		DRAWING NO. GE543P01 /PART NO. SEE NOTES		
.000 ± 0.075	±	ANGLES ± 0.5				SIZE A3
THIRD ANGLE PROJECTION		SCALE : 2:1	FINISH :		DO NOT SCALE DRAWING	
		SCALE : 2:1	QT'Y :			